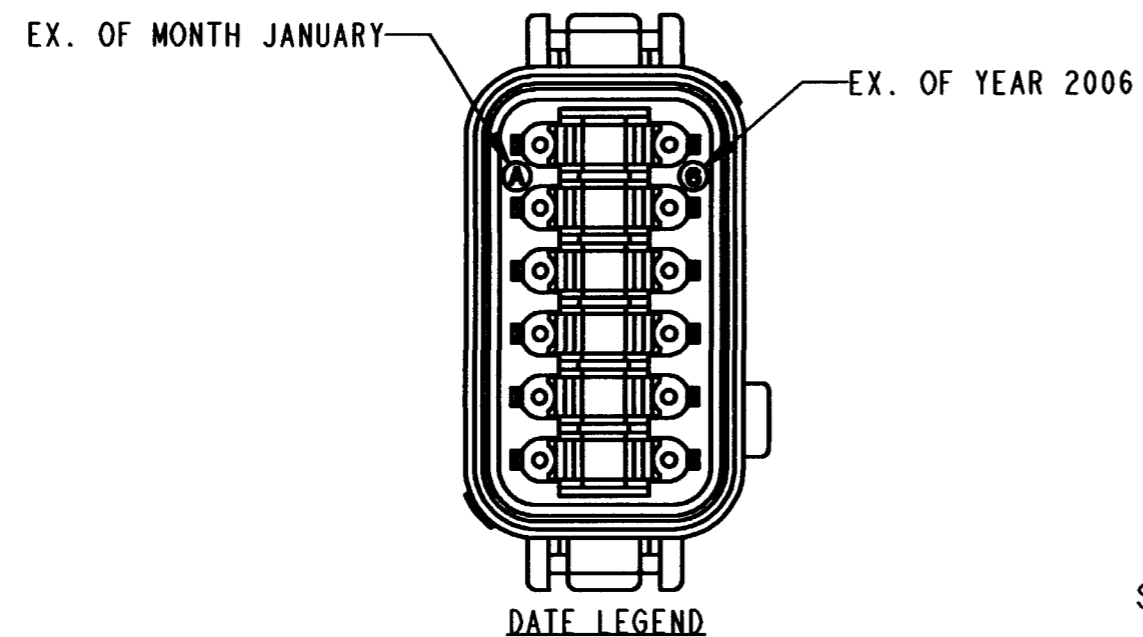


**3-DIMENSIONAL VIEW**

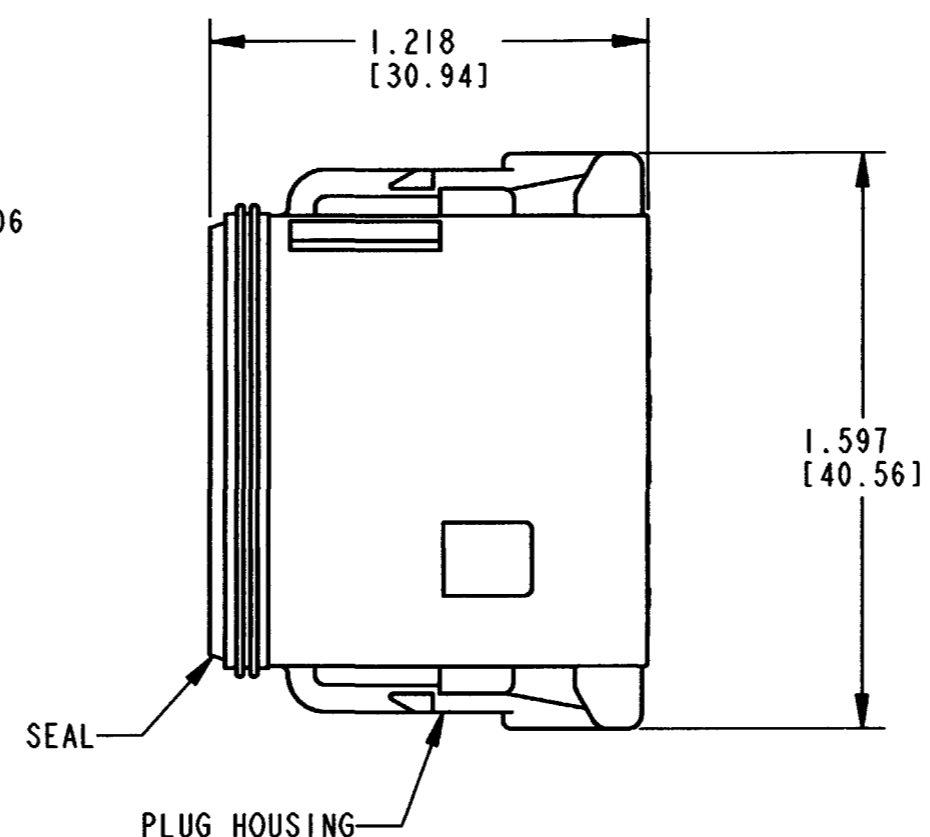


YEARS TO BE REPRESENTED BY LAST NUMERICAL DIGIT  
MONTH USES SEQUENTIAL ALPHA CHARACTERS, EX: A= JANUARY ...

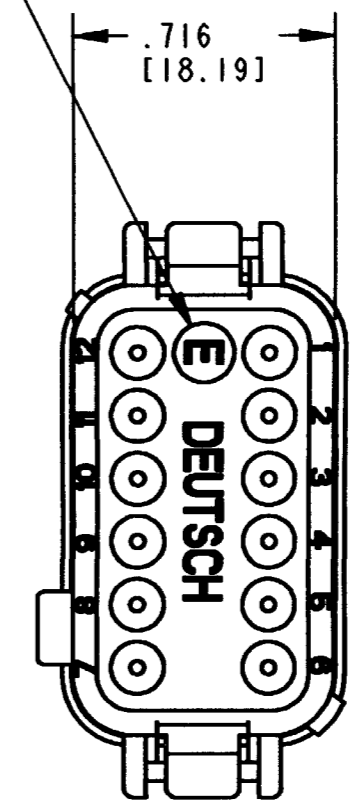
- 5. MATERIAL - HOUSING: PLASTIC  
SEAL: RUBBER
- 4. THIS PLUG MATES WITH THE DT04-12PC-\*\*\*\* RECEPTACLE (\*\*\*\* = ALL MODIFICATIONS).  
CONSULT FACTORY FOR MODIFICATIONS.
- 3. FOR CONTACTS AND WIRE PERFORMANCE AND APPLICATION CHARACTERISTICS  
SEE ENVELOPE DRAWING 0425-015-0000 AND 0425-017-0000.
- 2. DIMENSIONS ARE ±.025[0.63] UNLESS OTHERWISE SPECIFIED.
- 1. DIMENSIONS ARE IN INCHES [MILLIMETERS].

NOTES:

REV		REVISIONS		
SYM	DESCRIPTION	DATE	APPROVED	
A	DT06-12SC-CE06			
NC	NEW RELEASE PER E.O. P16570	3/7/00	DM	
A	REVISED PER E.O. P19856	5-29-00	RDA	



-E- SYMBOL DESIGNATES  
REDUCED WIRE SEALS



CONTACT SIZE	MIN. INSUL O.D.	MAX. INSUL O.D.	WIRE RANGE [mm <sup>2</sup> ]
16	.053 [1.34]	.120 [3.04]	14-20 AWG [2.0-0.5]

SIGNATURE & DATE	
DR	S. THEIS 3/1/00
CHK	J. Brand 5/28/00
PE	K. M... 5/19/06
APPD	S. Brand 5-22-00
SCALE	NONE WT

12 WAY PLUG  
-CE06 MOD.  
-C- KEY  
COLOR: GREEN  
DT SERIES  
  
ENVELOPE

EP	MATL. CODE
3850 INDUSTRIAL AVE. HEMET, CA 92545 <b>DEUTSCH</b> INDUSTRIAL	
<b>B</b> DT06-12SC-CE06	
DWG SIZE	SHEET   OF